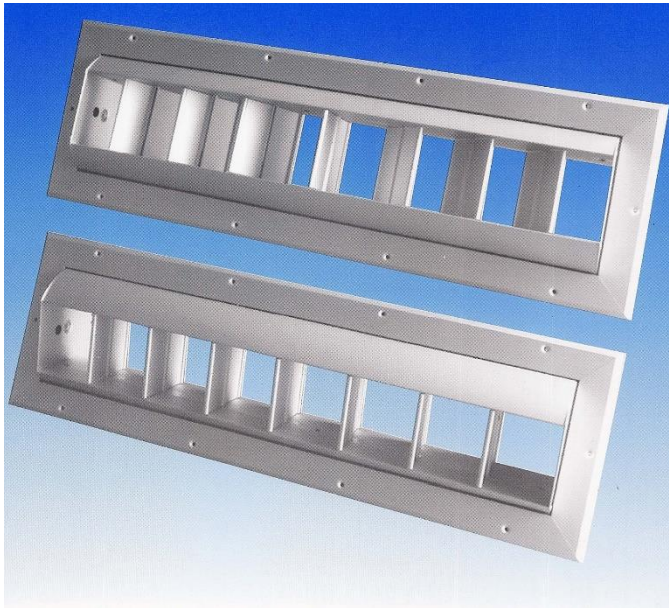


# Model Drum Jet Diffuser



## Features

- Fully adjustable drum.
- Fully adjustable air pattern .
- Long throws.
- Low resistant friction on drum.
- Suitable for side wall or exposed duct applications.

## Finish

- Standard finish is white baked enamel. Special colour finishes or special anodize finish are available.

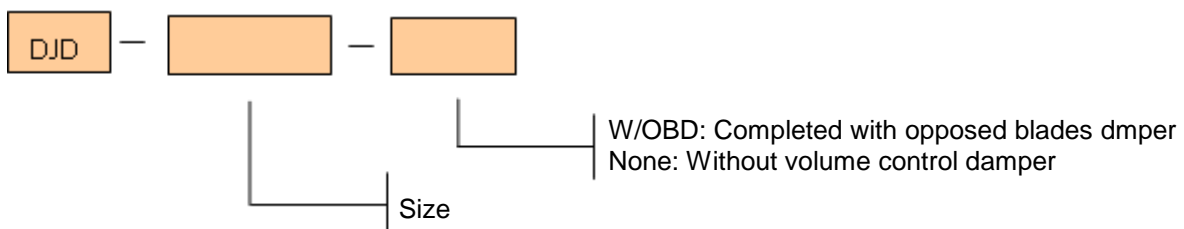
Model DJD Drum Jet Diffuser is a high capacity unit specifically designed for warehouses, sports halls or factory units etc. where a long throw is required. The DJD is fully adjustable to provide a full jet spread and directional control.

The unit is constructed from aluminium extrusions and comes complete with brush strips to provide a low friction, airtight seal. Standard installation is screw fixing through the face flange.

## Accessories

- Opposite blade damper(OBD)  
Damper blades move simultaneously in opposite direction. Allow for smooth volume control from fully open to fully close. Smooth operation by turning a single adjustment screw. Dampers manufactured from sheet steel. Standard finish is black baked enamel.

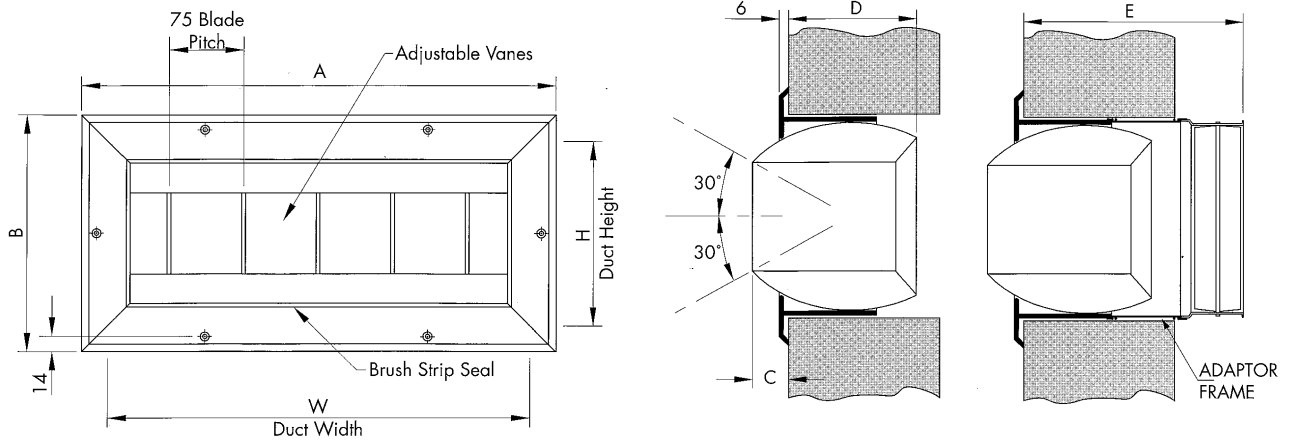
## Order Code



# Model Drum Jet Diffuser



## Dimension



Size	A	B	W	H	C	D	E
300217	300	217	261	170	36	87	146
376217	376	217	337	170	36	87	146
529217	529	217	490	170	36	87	146
681217	681	217	642	170	36	87	146
579319	579	319	540	271	63	138	207
706319	706	319	667	271	63	138	207
833319	833	319	794	271	63	138	207
960319	960	319	921	271	63	138	207

## Performance Data

Size	Flow Rate (l/s)	100	125	150	200	250	300	400	500	600
300217	SP (Pa)	20	21	45	75	130				
	NR	-	17	21	27	32				
	Throw (m)	3.4	5	8	15	26				
376217	SP (Pa)		18	25	45	65	100			
	NR		-	16	22	27	32			
	Throw (m)		3.5	4.6	9	15	22			
529217	SP (Pa)			12	19	31	45	76	120	
	NR			-	15	20	24	31	35	
	Throw (m)			3.1	5	9	13	26	37	
681217	SP (Pa)				11	16	24	45	63	95
	NR				-	15	19	26	30	34
	Throw (m)					5	8	17	25	36
Size	Flow Rate (l/s)	400	500	600	700	800	900	1000	1250	1500
579319	SP (Pa)	21	32	47	63	82				
	NR	20	24	28	32	34				
	Throw (m)	7.5	12	17	25	32				
706319	SP (Pa)	12	19	27	37	50	63	75		
	NR	15	20	23	27	30	33	34		
	Throw (m)	5	8.5	13	18	25	30	35		
833319	SP (Pa)		13	19	25	34	45	50	80	
	NR		17	20	24	27	29	31	75	
	Throw (m)		6	9.5	13	17	23	27	40	
960319	SP (Pa)			14	20	25	32	38	60	82
	NR			18	21	25	27	29	33	37
	Throw (m)			7.5	10	14	17.5	21	33	43